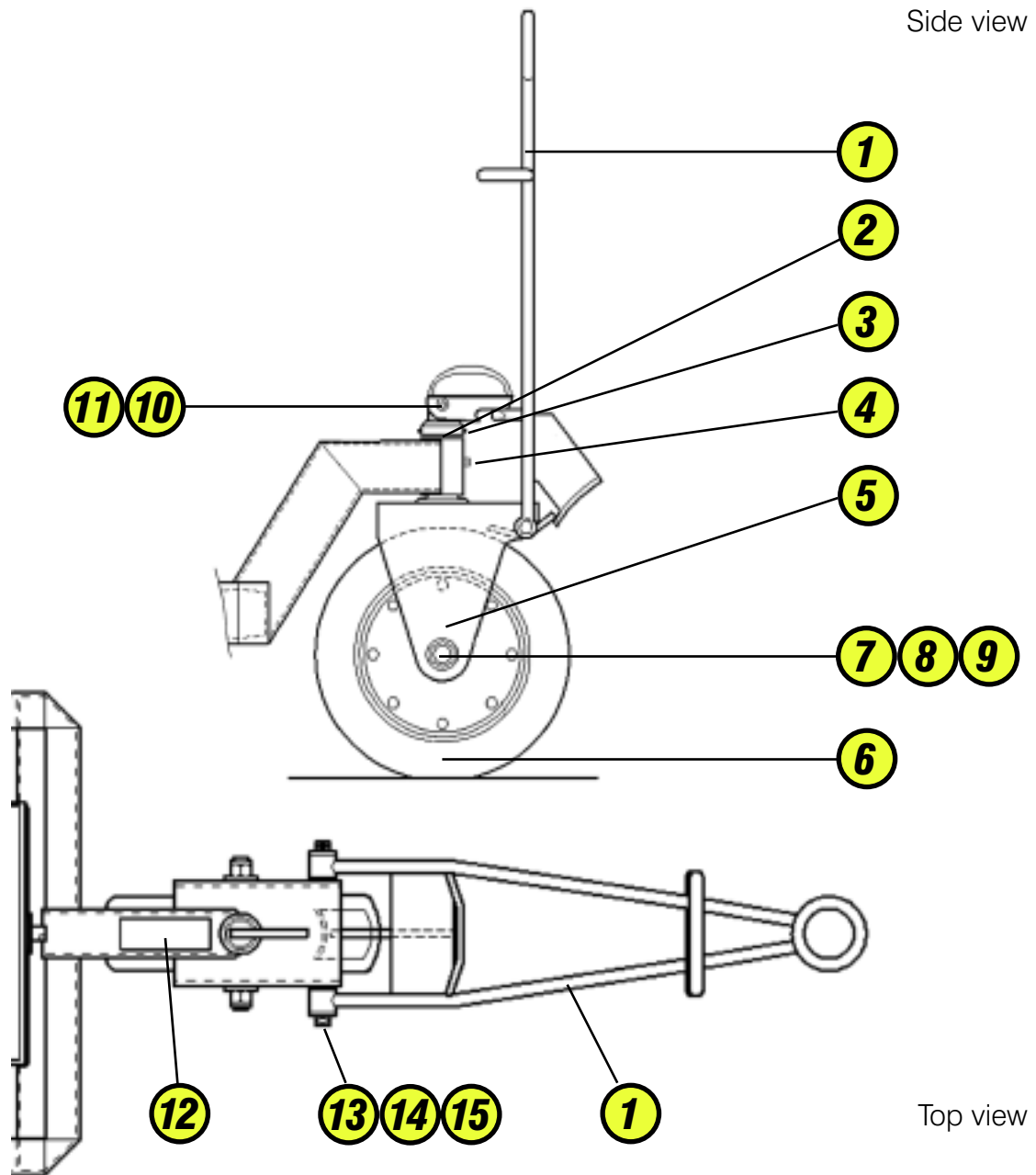


A. T. JUNIPER (LIVERPOOL) Ltd.

High Capacity Compressor Wash Rig (JMP/APACHE/D/4979)

**An improved steering assembly has been developed
for this rig (as pictured below).**





STEERING ASSEMBLY

Item	Description	Part number	Qty
1	Drawbar	JMP/CFM6/C/6193	1
2	Washer, Bellville	JMP/STD/A/6262	2
3	Pin, selok, 5/16" x 3" long		1
4	Nipple, grease, 1/8" BSP		1
5	Castor assembly, steering	JMP/LUFT/D/4913	1
6	Wheel, 16" OD, 1" diameter bearings	SM707	3
7	Axle, castor	JMP/CFM56/B/4936/2	1
8	Nut, nyloc, 3/4" BSW		4
9	Washer, 2" OD x 3/4" ID x 1/16"		4
10	Pin, tension, M4 x 26		2
11	Pin, tension, 3/32" x 7/8" long		2
12	Label, warning, traffolyte (front locking latch)	JMP/GE90/A/6257	1
13	Axle, drawbar	JMP/LUFT/D/4916/2	1
14	Brake assembly, parking	JMP/LUFT/D/4916	1
15	Pin, split		1